

# Burcridge

'Hera Lighting UK'

Brilliance in lighting design



## LED Basic Side-Tape

Self-adhesive flexible side emitting LED tape.

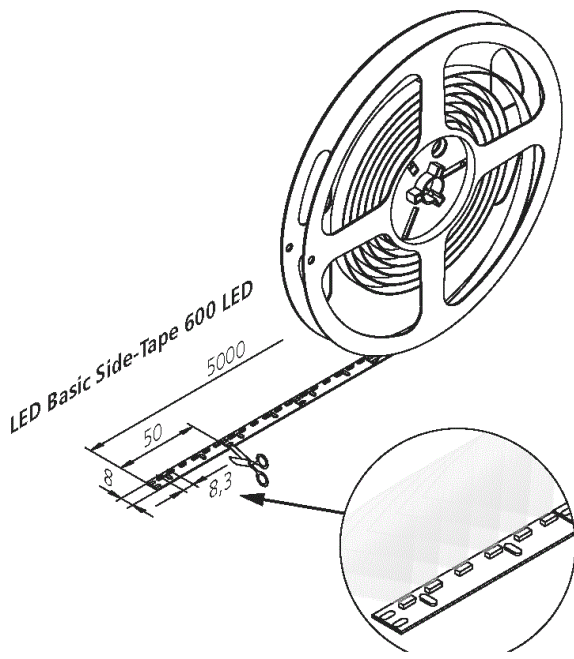


**Connection:**  
**Life:**  
**Energy efficiency:**  
**Colour rendering:**

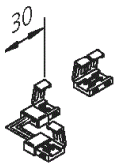
LED-transformer DC 24 V  
L70/B10  $\geq 50,000$  hours  
LED 132 lm/W; luminaire: 800 lm/m (100 lm/W); this luminaire contains built-in, not changeable LED lamps of the energy efficiency class A to A++  
Ra/CRI  $> 80$

**Special features:**

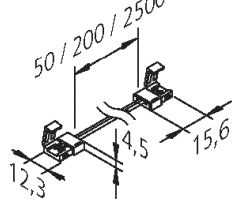
Illuminated direction 90° turned; max. 6 m on one supply cable; quick and easy installation due to double-sided adhesive tape; Tapes can be shortened at 50 mm intervals according to the marks on the front side; afterwards the Tapes can be reconnected without soldering with the connecting clips or cables



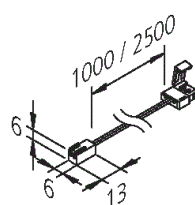
connecting clip



connecting cable



supply cable



For further information please click [HERE](#)



Copyright © 2017 Burcridge Ltd, All rights reserved.

### Our mailing address is:

Burcridge Ltd  
Eastlands Court Business Centre  
St Peters Road  
Rugby, Warwickshire CV21 3QP  
United Kingdom

[Add us to your address book](#)

Want to change how you receive these emails?  
You can [update your preferences](#) or [unsubscribe from this list](#)